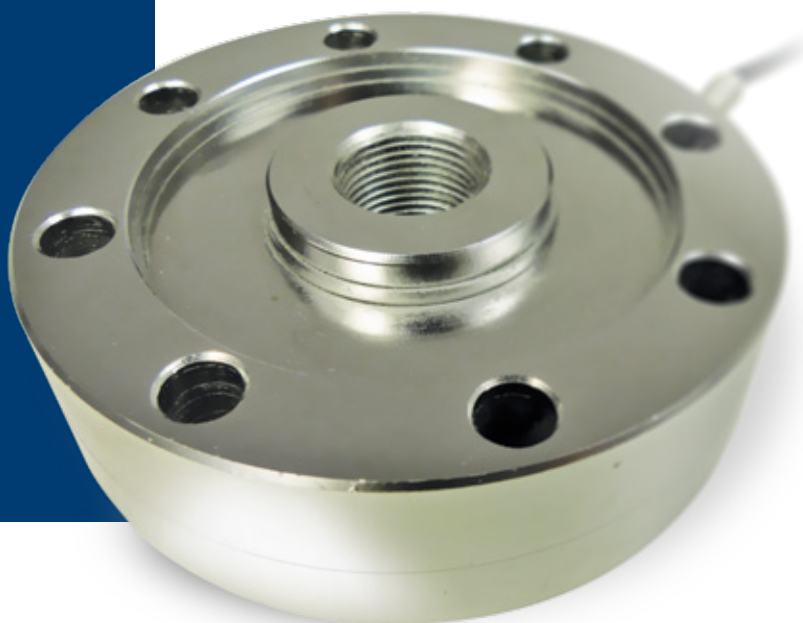


GTC

COMPRESSION LOAD CELL



MAIN FEATURES

Compression load cell
Measurement element from stainless steel
Hermetically sealed laser welded
Protection IP68 (EN60529)

APPLICATIONS

Load cell that, because of its threaded hole finish, allows for a more vertical compression, perfect for test benches and verification presses.

*Accuracy approved to 2000
OIML divisions R60 Class C*



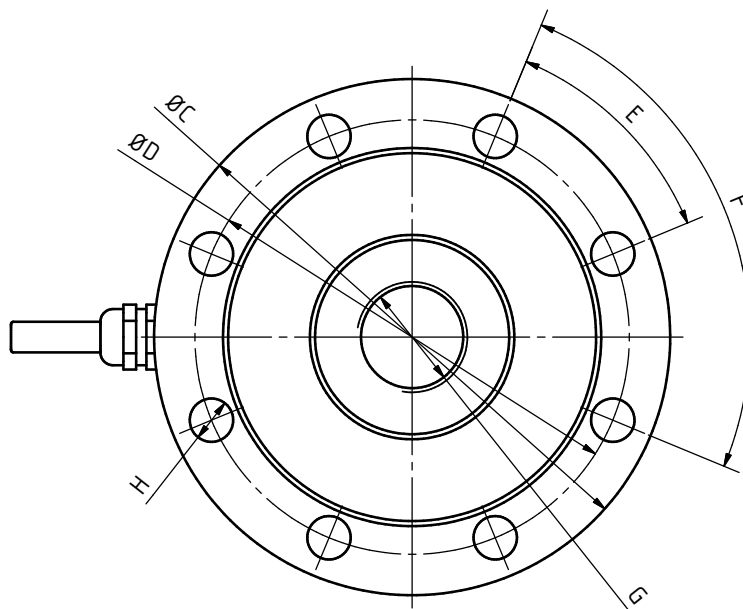
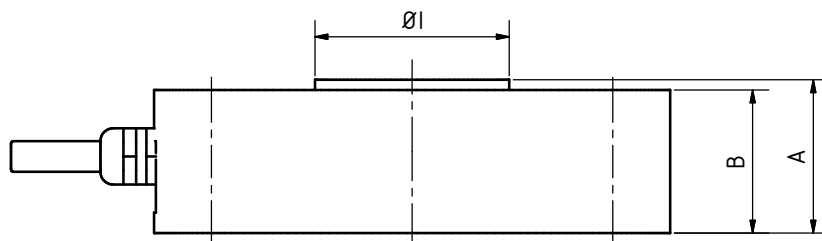
SPECIFICATIONS

Nominal capacities (Ln)	500-1000-2000-2500-5000-7500-1000-20000-30000 kg
Accuracy class	1000/2000
Input impedance	766Ω±2%
Output impedance	700±3Ω
Input voltage range	5..12 V
Nominal sensitivity	2mV/V
Temperature compensation	-10 a +50°C
Service load	150% (N.L.)
Safe load limit	> 200 % (N.L.)
Sensitivity tolerance	+/- 0.1% (N.L.)
Temperature effect on sensitivity (-10...+40°C)	<+/-0.001%/°C
Temperature effect on zero (-10...+50°C)	<+/-0.002%/°C
Maximum combined error	<+/- 0.02 (N.L.)
Creep in 30' at 20°C	+/- 0.02%
Cable length	5 m
Electrical connection	4 wires

GTC



min 500 kg
max 30.000 kg



Dimensions (mm)

Nominal capacity	A	B	C	D	E	F	G	H	I
500...7500	30	28	101	85	45	90	M20 x1.5	8 x Ø8.5	38
10000...30000	40	39	150	125	30	60	M30 x1.5	12 x Ø10.5	50

References

Code	N. capacity - In (kg)	Accuracy class n. OIML	y= emax / vmin
230906	500	C1 / C2	7500
230907	1000	C1 / C2	7500
230908	2000	C1 / C2	7500
230909	2500	C1 / C2	7500
230910	5000	C1 / C2	7500
230911	7500	C1 / C2	7500
230912	10000	C1 / C2	7500
230913	20000	C1 / C2	7500
230914	30000	C1 / C2	7500