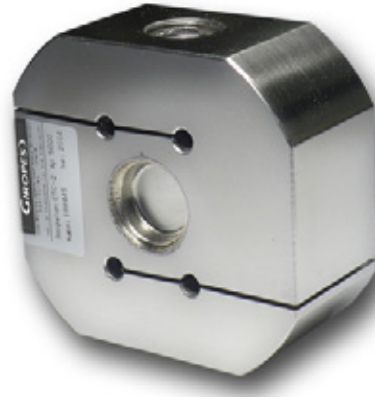
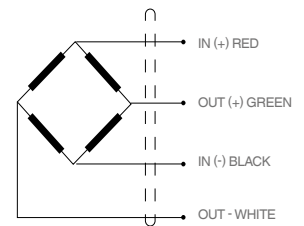
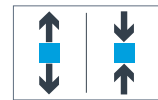


min 750 kg  
 max 5.000 kg



### APPLICATIONS

Silos and Hopper weighing.

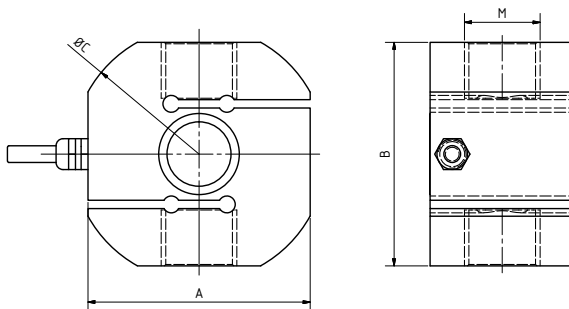


### FEATURES

- Traction load cell
- 3000 divisions OIML R60 class C.
- Hermetically sealed laser welded
- Measurement element from alloy steel
- Stainless steel building
- Protected against humidity IP68 (EN60529)

### SPECIFICATIONS

Nominal capacities (Ln)	750-1000-1500-2000-2500-3000-5000 kg
Accuracy class	3000 n. OIML
Minimum dead load	0 %Ln
Service load	150 %Ln
Safe load limit	200 %Ln
Total error	<±0.017 %Sn
Repeatability error	<±0.015 %Sn
Temperature effect on zero	<±0.01 %Sn/5°C
Temperature effect on sensitivity	<±0.006 %Sn/5°C
Creep error (30 minutes)	<±0.016 %Sn
Temperature compensation	-10.40 °C
Temperature limits	-20.50 °C
Nominal sensitivity (Sn)	2±0.1% mV/V (2)
Nominal input voltage	10 V
Maximum input voltage	15 V
Input impedance	386±10% Ω
Output resistance	350±10% Ω
No load output	< ±2 %Sn
Insulation resistance	> 5000 MΩ
Maximum deflection	0.2-0.4 mm
Cable length	5 m



C.N (kg)	A	B	∅ C	D	M
250-500	70	70	80	25	M12
750-1500	80	80	91.5	25	M16
2000-5000	94	94	105	42	M22

Dimensions (mm)

Reference	Nominal capacity - ln (Kg)	Accuracy class n. OIML	$y = e_{max} / v_{min}$	Code #
G2T 750	750	C3	8000	230625
G2T 1000	1000	C3	8000	230626
G2T 1500	1500	C3	8000	230627
G2T 2000	2000	C3	8000	230628
G2T 2500	2500	C3	8000	230629
G2T 3000	3000	C3	8000	230630
G2T 5000	5000	C3	8000	230631